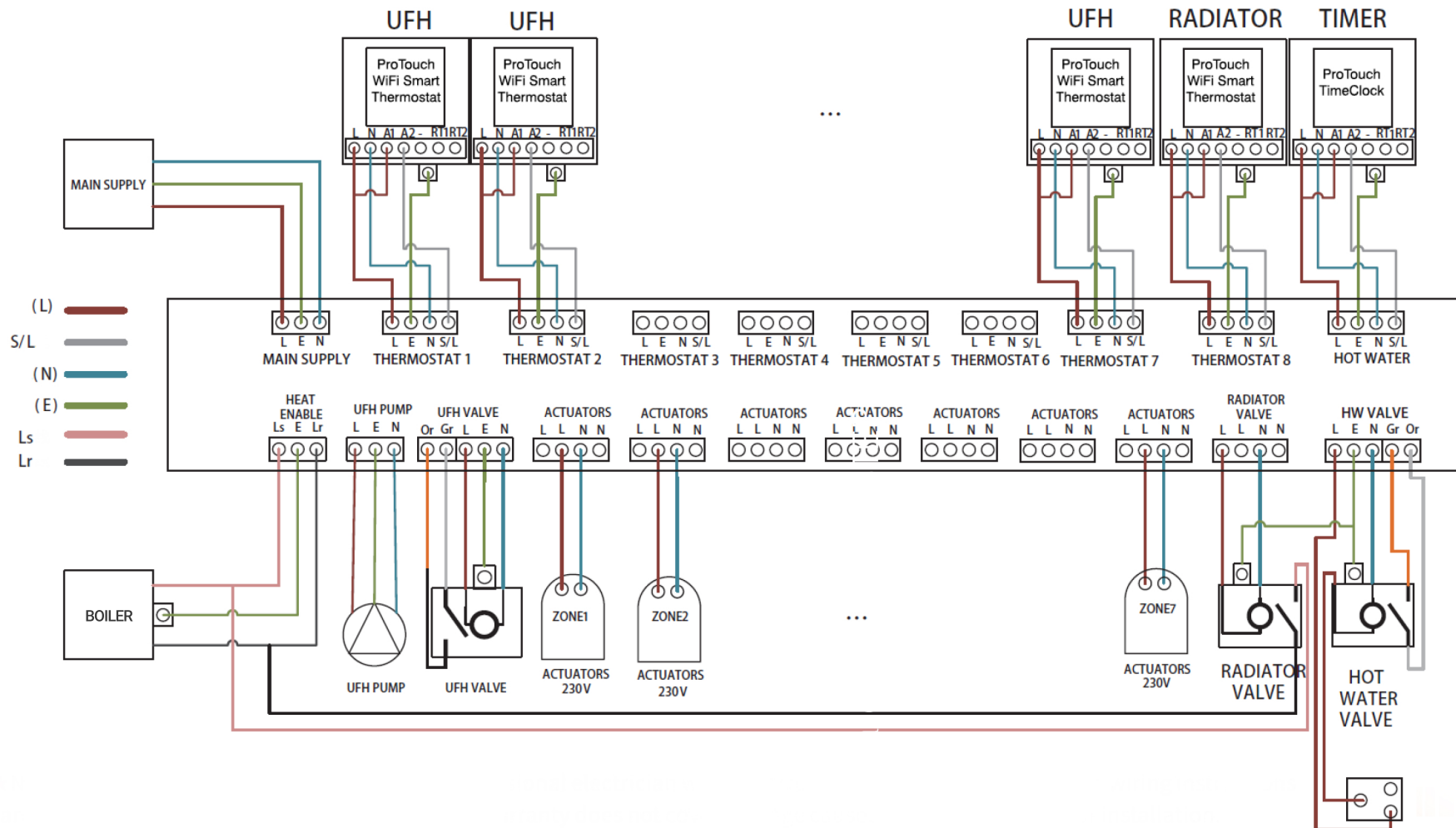


8-ZONE WIRING CENTRE - DIAGRAM



✓ Note: This equipment must be installed by a professional qualified electrician or heating engineer. Please read the wiring instructions carefully before connecting power to the equipment. The warranty does not cover damage caused by incorrect wiring or installation.

8-ZONE WIRING CENTRE - WIRING GUIDE

<p>POWER SUPPLY (MAIN SUPPLY)</p> <p>L: Live, Single phase, AC 230V, 50/60Hz E:Earth N:Neutral</p> <p>Note: Power supply should be fused at 3amps via a local switched fused spur.</p>	<p>Zone 1- Zone 7 (THERMOSTAT 1-7)</p> <p>L: Live E:Earth N:Neutral</p> <p>S/L : 230V Switched return from the room thermostat. Switch Line.</p>
<p>Zone 8 (THERMOSTAT 8)</p> <p>L: Live E:Earth N:Neutral</p> <p>S/L : 230V Switched return from the room thermostat. Switch Line.</p> <p>Note: If the switch on the PCB is set to UFH the zone will work as an UFH zone. If set to RAD the zone will operate as a radiator zone and will not activate the UFH Pump.</p>	<p>HOT WATER(H/W)</p> <p>L: Live E:Earth N:Neutral</p> <p>S/L : Switched Live from hot water timeclock.</p>
<p>HEAT ENABLE</p> <p>Ls : Live supply E:Earth Lr: live return</p> <p>Note: Heat enable provides a 0v switching relay. 12/24/230v Power is wired into LS (Live Supply) and LR (live return) will act as the switch Line to the boiler.</p>	<p>UFH PUMP</p> <p>L: Live, Single phase AC 230V, 50/60Hz E:Earth N:Neutral</p> <p>Note: When an underfloor heating zone calls for heat the actuators and motorised valves will open first followed by the UFH pump.</p>

<p>UFH VALVE</p> <p>L: Live E:Earth N:Neutral Or: Orange Gr:Grey</p> <p>Note: The auxiliary wire of the underfloor heating valve, usually Grey and Orange should be wired into Gr and Or terminals to enable the UFH pump to operate following the valve opening.</p>	<p>Zone 1- Zone 8 (ACUATORS 1-8)</p> <p>L: Live to actuator or valve N: Neutral to actuator or valve</p> <p>Note: Each actuator zone output at the bottom of the board has 2x Live and 2x Neutral terminals, this allows more than one actuator to be connected to a single zone output.</p> <p>You can connect up to 4 actuators to a single output.</p>
<p>HOT WATER VALVE (HW VALVE)</p> <p>L: Live E:Earth N:Neutral Or: Orange Gr:Grey</p> <p>Note: The Live terminal MUST be connected to the Cylinder stat and NOT to the Live on the motorised valve. The valve will be fed from the return of the cylinder stat. Or and Gr are connected to the Orange and Grey wires on the valve.</p>	<p>FUSE</p> <p>Fuse specification: 5A/ 250V</p> <p>Note: This unit is protected by a 5 amp supply fuse.</p>