

H4 Pump Control Set

For heat pumps and low temperature systems



Specification

Output: Up to 250sqm / 20kW

Max temperature range:

Continuously = 95°C / Temporarily = 100°C

Maximum supply pressure: 10 Bar

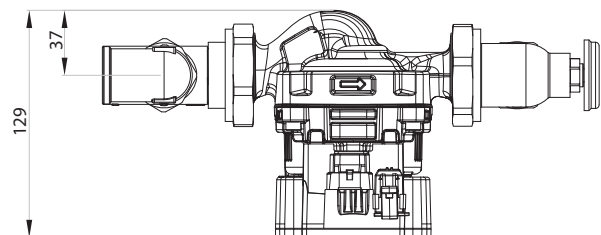
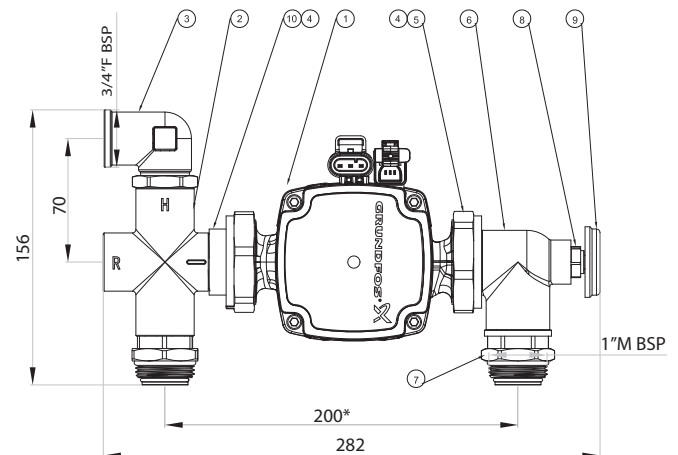
Optional extras

Primary isolation valves

Safety temperature switch

Manifold isolation valves

Compression fittings



Product Information

The compact H4 4-port pump set, comes complete with:

- In-built 4-way deflector plate
- 'A' rated Grundfos UP M3 Auto pump
- Integrated check valves for easy filling
- Temperature gauge
- Assembled in the UK: pre-tested, packaged and ready for instant installation
- 2 Year warranty
- Fully reversible (Left or Right sided manifold)
- Side or bottom entry connections
- Available in 200mm, 210mm and 225mm manifold connection centers

Specification		
1	Grundfos UPM3 Auto Pump	1
2	4-way deflector plate	1
3	Flow / Return Elbow	1
4	2mm Rubber Washer	2
5	1 1/2" Rapid Connection Nut	2
6	Elbow Flanged	1
7	3/4" Female BSP Flow and Return	2
8	3/8" Pocket	1
9	Temperature Gauge	1
10	Manifold Centre Distance Spacer	1
R	Return from manifold / flow to heat source	N/A
H	Flow from heat source	N/A

*Standard centre distance. 210mm and 225mm also available.