

T30NC230

Electro Thermal Actuator



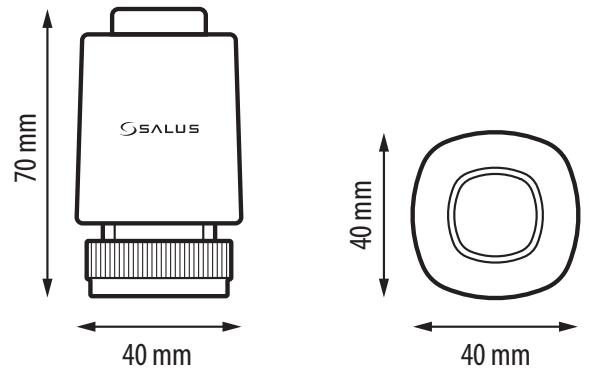
T30NC230 is a thermal actuator for energy saving, used to regulate surface heating and cooling systems.

Characteristics

- First open function for ease of installation
- Adaptive stroke length 4mm
- Low Power consumption 2W
- 100N Force
- High quality wax element
- Simple open and close indication
- Universal M30 x 1.5mm screw thread
- 5 year warranty

Features

Product	Electro Thermal Actuator
Operation mode:	NC = Normally Closed
N:	Neutral Connection
L:	230V Live Connection
Dimensions (mm)	40 x 60 x 42



Connection scheme

