



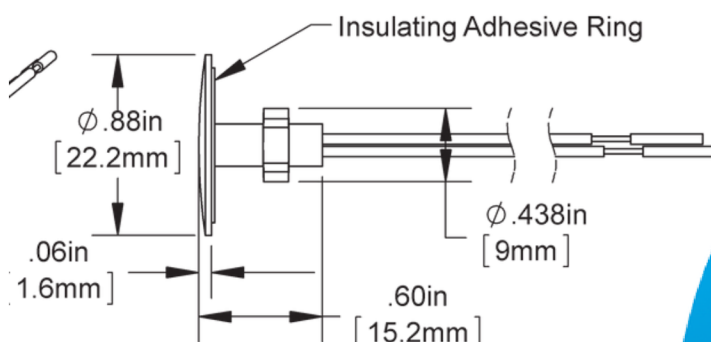
Low Profile "Button" Sensor Temperature Sensor

The Low Profile "Button" Sensor is ideal for locations where aesthetics are as important as the temperature measurement.

The inconspicuous wall sensor mounts easily by pushing through a 12mm hole and secured with a peel-off insulating adhesive ring. The only visible portion is a flush 22mm dot on the wall. The Low Profile "Button" Sensor is available in white.

Features & Options:

- Small flush sensor mounting
- Accurate direct air measurement
- Paintable with latex or oil base products
- Discreet and unobtrusive
- Suitable for bathrooms / wet rooms
- Compatible with all thermostats with external sensing option



Find out more about our products:

saluscontrols.com/gb



Low Profile "Button" Sensor

Temperature Sensor

Specifications:

THERMISTOR	
Temp. Output	Resistance
ACCURACY (STD)	±0.36°F, (±0.2°C)
STABILITY	< 0.036°F/Year, (<0.02°C/Year)
HEAT DISSIPATION	2.7 MW/°C
TEMP. DRIFT	<0.02°C per year
PROBE RANGE	-40° to 221°F (-40° to 105°C)
RTD	
PLATINUM (PT)	100Ω or 1KΩ @0°C, 385 curve
PLATINUM (PT)	1KΩ @0°C, 375 curve
PT ACCURACY (STD).	0.12% @Ref, or ±0.55°F, (±0.3°C)
PT STABILITY	±0.25°F, (±0.14°C)
PT SELF HEATING	0.4 °C/mW @0°C
PT PROBE RANGE	-40° to 221°F, (-40 to 105°C)
NICKEL (NI)	1KΩ @70°F, JCI curve
NI PROBE RANGE	-40° to 221°F (-40 to 105°C)
SENSITIVITY	
THERMISTOR	Non-linear
RTD (PT)	3.85Ω/°C for 1KΩ RTD 3.75Ω/°C for 1KΩ RTD
NICKEL (NI)	2.95Ω/°F for the JCI RTD

WIRING	ONE PAIR OF 22 AWG WIRES
WIRE INSULATION	ETCHED TEFLON OR PLENUM-RATED
MOUNTING	12MM HOLE, PUSH IN PLASTIC SHEATH WITH PEEL-OFF INSULATING ADHESIVE RING
ENCLOSURE MATERIAL AND RATINGS	PLASTIC, NEMA 1, UL94
ENVIRONMENTAL OPERATING RANGE	UNIT WITH ETCHED TEFLON WIRE -40 TO 185°F (-40 TO 85°C) UNIT WITH PLENUM-RATED WIRE: -4 TO 167°F (-20 TO 75°C) 0 TO 100% RH, NON-CONDENSING
AGENCY	ROHS, CE