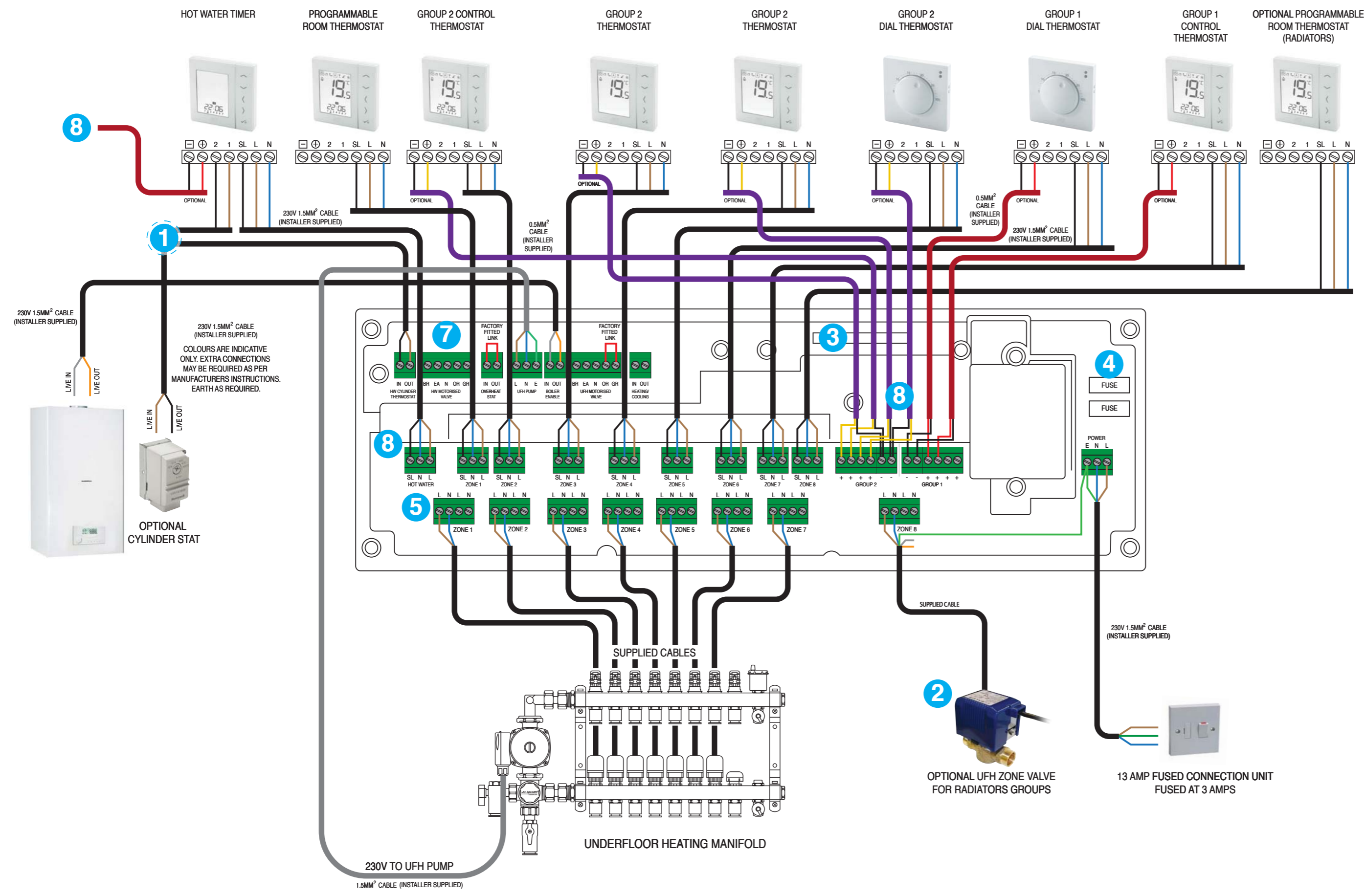


Please note: The information below displays a typical installation for illustration purposes only.



**Contents**



JGWC meets the following EC directives:

- Electro-Magnetic compatibility directive 2004/108/EC
- Low voltage directive 2006/95/EC
- RoHS2 directive 2011/65/EU

**Warning**

These instructions are applicable to the Speedfit Aura model as stated above.

This product must be fitted by a competent person, and installation must comply with the guidance, standards and regulations applicable to the location where the product is installed. Failure to comply with the requirements of the relevant guidance, standards and regulations could lead to prosecution, injury or death.

Earthing/bonding of all field devices must be in accordance with the aforementioned guidance, standards and documentation.

Always isolate the AC Mains supply before installing or working on any components that require 230v AC 50Hz supply.

Isolation of the mains supply to the JG Wiring Centre via the local fused connection unit MAY NOT isolate all mains voltages present (such as boiler enable).



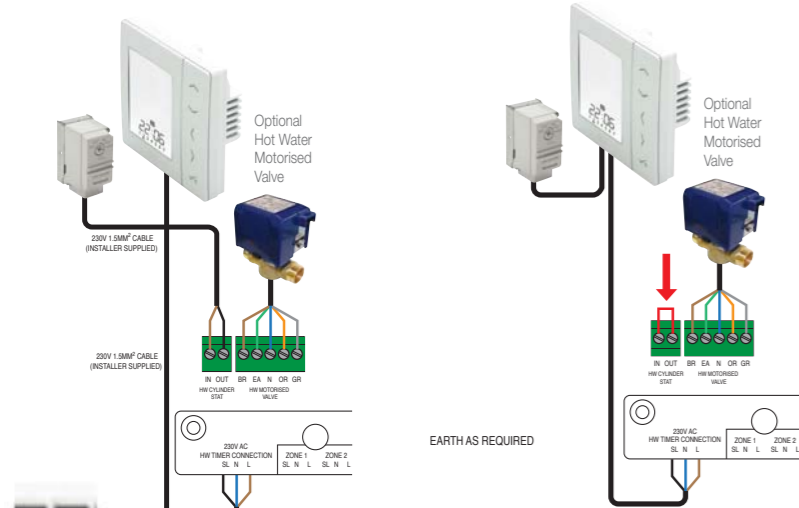
Please leave these instructions with the end user where they should be kept in a safe place for future reference.

For the latest PDF Instruction Manuals please go to [www.speedfitUFH.co.uk](http://www.speedfitUFH.co.uk)

**1**  
**Hot Water Connections**

**Option 1** - Connect Cylinder Thermostat to wiring centre.

**Option 2** - Connect Cylinder Thermostat directly to Hot Water Timer. A link will be needed between IN and OUT on the wiring centre as shown by the arrow.



**Sensor Terminals**  
Can be used for external AIR floor sensor when configured as a thermostat.  
Can also be used for cylinder thermostat when connected for hot water.

**Please Note:** When using option 2 refer to Device Parameters on pages 40 - 42 of the 230v Thermostat Instruction Manual.

**2**  
**Dip Switch Set Up**

In order for the wiring centre to be able to control UFH and Radiators, there is a need to turn off the UFH pump for a zone when that zone is to be used for radiators.

Example: When fitting a zone for radiators or towel rail then the Dip Switch for that zone should be switched to OFF. The Dip Switches for this are located under the front lid. When the zone switch is in the ON position the UFH pump will run when that zone is calling for heat along with the boiler. When it is in the OFF position then the UFH pump will not run but the boiler will fire.

**Note:** Zone valves controlled by the actuator connections require only the live, neutral and earth wires to be connected to the corresponding zone.

There are three other function switches as well.

**Pump & Boiler delay:** This gives a three minute delay to allow actuators to open before the boiler fires.

**Pump Only Delay:** Delays only the UFH pump from firing for three minutes.

**Actuator NO or NC:** This refers to Normally Open or Normally Closed. JG actuators supplied in NC configuration.

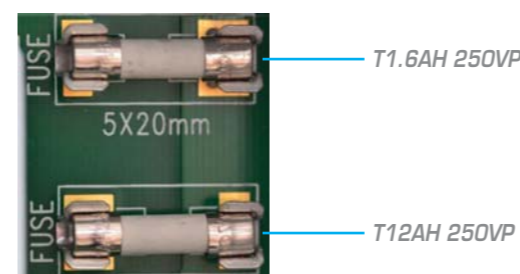


**3**  
**Ribbon Connection**

This must be carefully removed or replaced when removing or replacing the wiring centre cover, being careful to ensure the correct orientation.

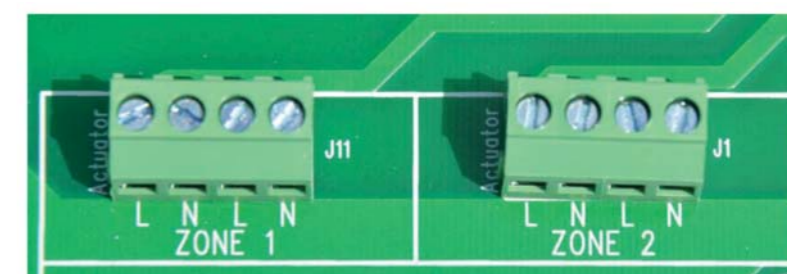


**4**  
**Fuses**



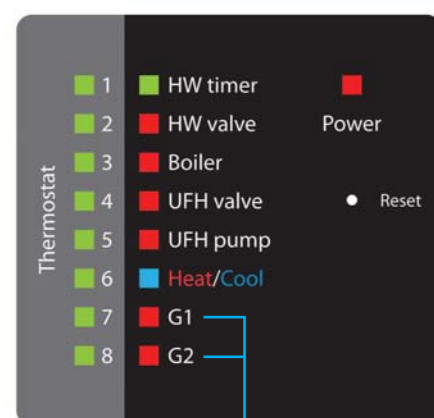
**5**  
**Actuator Connections**

Actuator connections corresponding to the thermostat connections. Up to 2 cables can be used in each connection (4 Actuators per Zone). If more than that number needs to be connected, then an external junction box will be needed. A maximum of 6 actuators can be connected to a zone in this manner.



**6**  
**Information Display**

**Thermostat Zones**



Groups 1 and 2

**7**  
**Motorised Valves, Pump, Boiler & Thermostat Connections**

**Cylinder Thermostat (Optional):** If connecting the cylinder thermostat directly to the timer then a link needs to be fitted between IN and OUT on the HW Cylinder thermostat connection.

**Hot Water Motorised Valve (Optional):** Used if timed hot water is required.

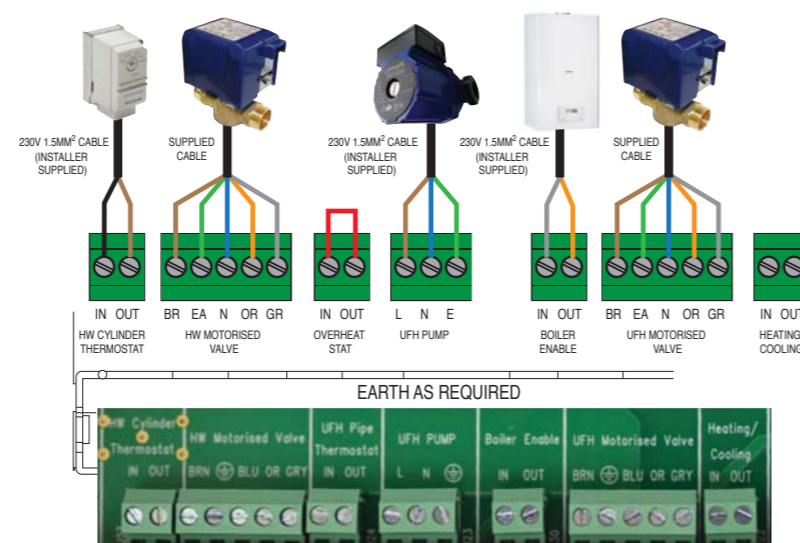
**Overheat Thermostat (Optional):** Used for connecting a pipe thermostat to prevent over temperature water damaging sensitive floors. Remove the link and connect the pipe thermostat so it is Normally Closed. The pipe stat will open if overheating occurs and the UFH pump will stop running.

**Boiler Enable (Optional):** This Volt Free connection must come from the boiler thermostat connection. When any zone calls for heat the boiler enable will close causing the boiler to run. If work is being carried out on the boiler then power to and from the switch will cease. (Do not connect to the boiler IN terminal by linking a 230V feed from the wiring centre).

**UFH Motorised Valve (Optional):** If a UFH motorised valve is fitted then remove the link between OR and GR.

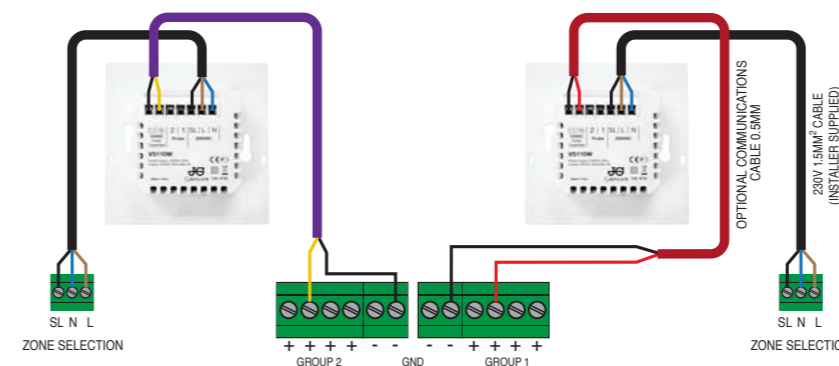
**Heat/Cool Changeover (Optional):** This connection allows heat/cool changeover of all thermostats using a single external switch (installer supplied).

**Switch:** Open-Heating, Closed-Cooling.



**8**  
**Thermostat Grouping**

The thermostats can work as individual units or in groups. There can be up to 2 groups of thermostats per wiring centre. In order to work in groups the communications cable must be connected to the wiring centre communications terminals (+ & -). The (-) terminals are common to all thermostats. In order to assign the thermostat to group 1 or 2 then the communications cable + must be connected to the relevant 1 or 2 + terminal.



**Please Note:** If the Hot Water Timer is part of a group then the communication connection must be connected to Group 1.