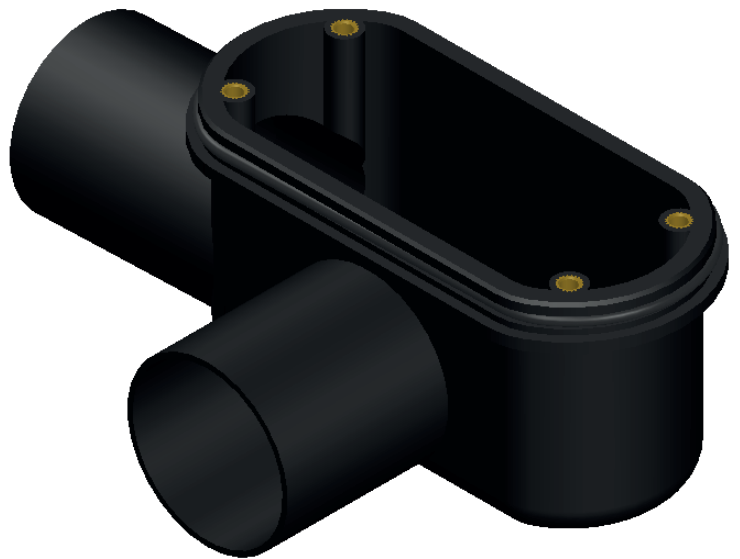
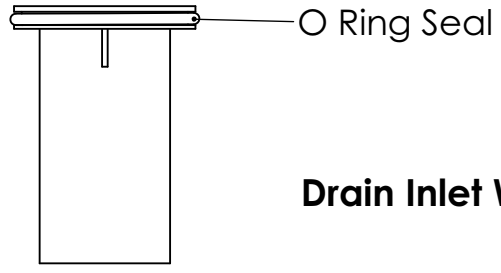
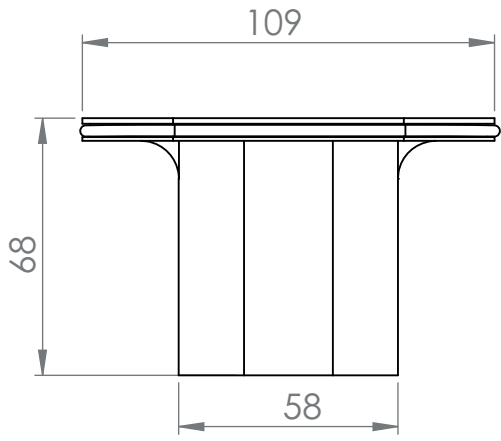
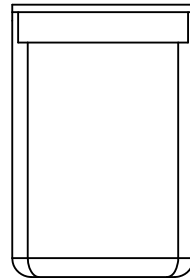
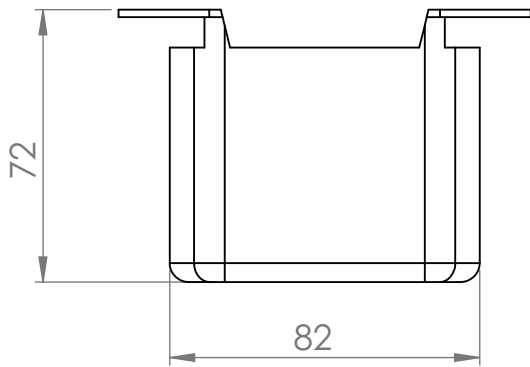
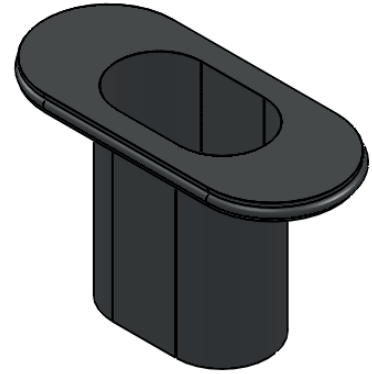
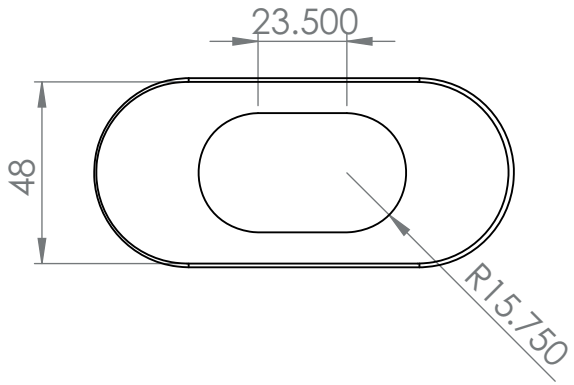


Drain Base

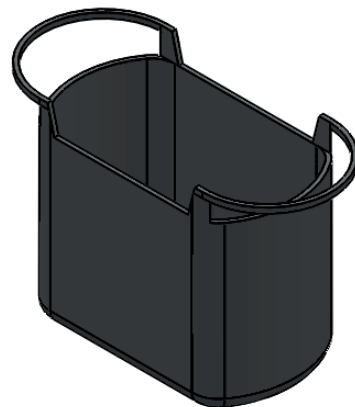
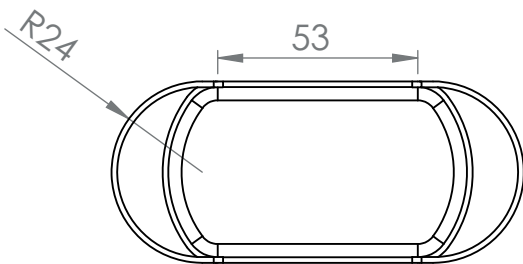


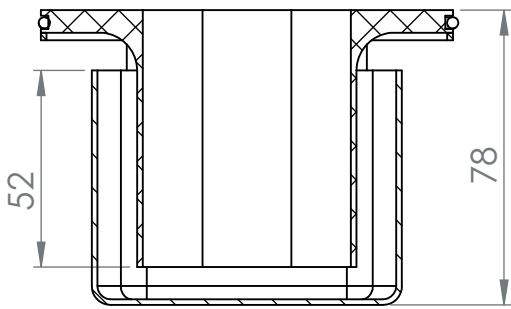
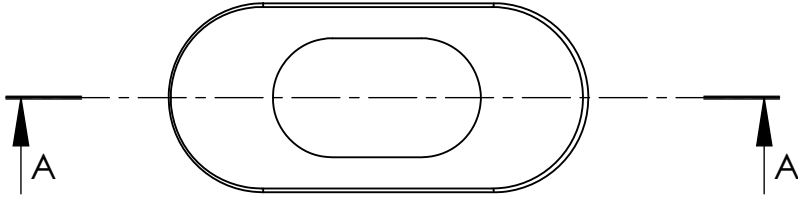
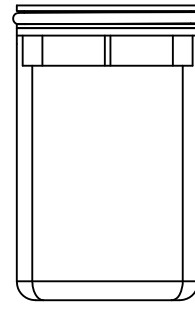
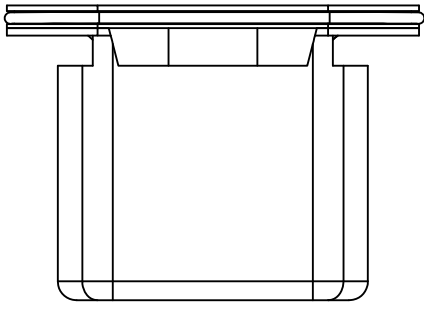


Drain Inlet With O Ring

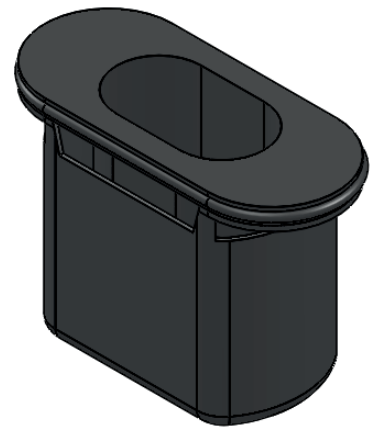


Drain Basket

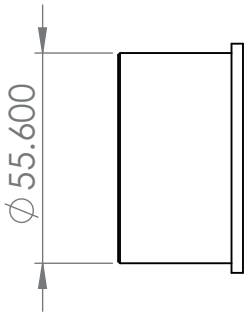




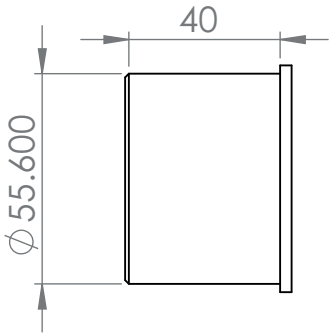
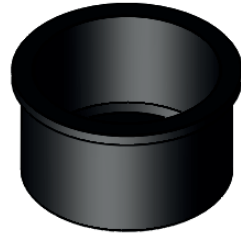
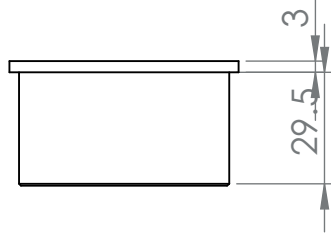
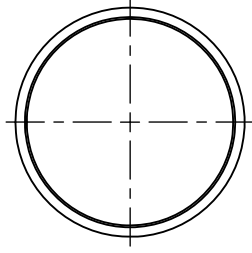
SECTION A-A
SCALE 1 : 2



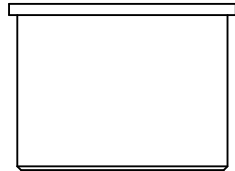
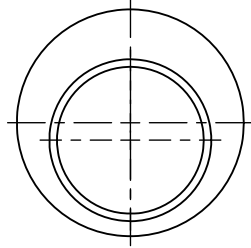
Inlet Assembly

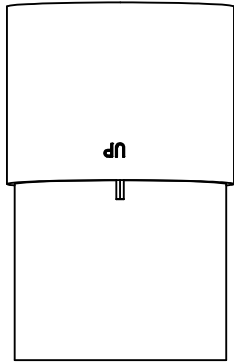
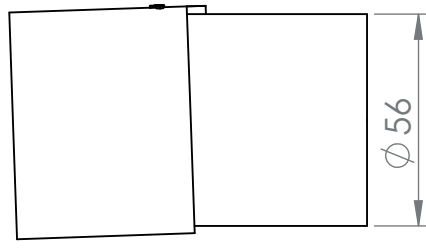
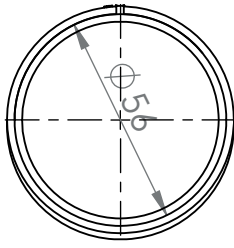


Stop Cap

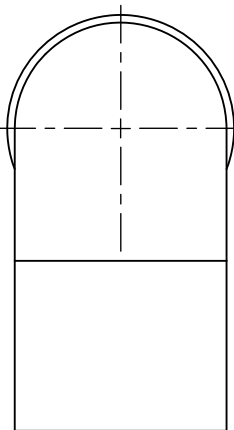
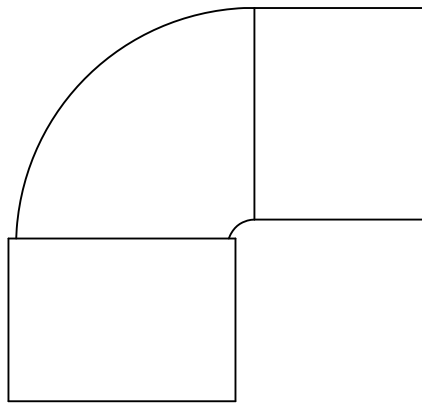
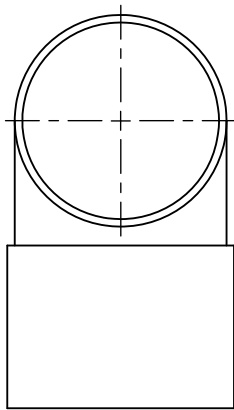


Reducer

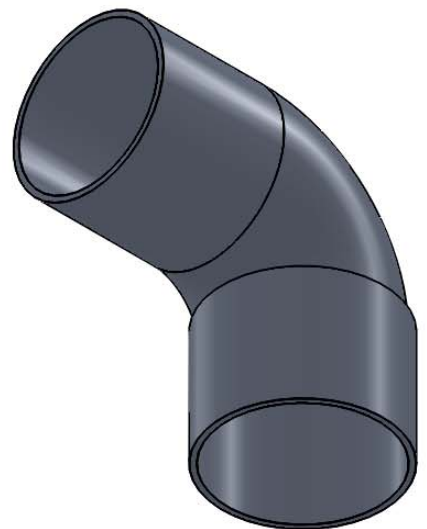


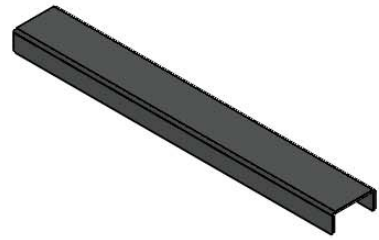
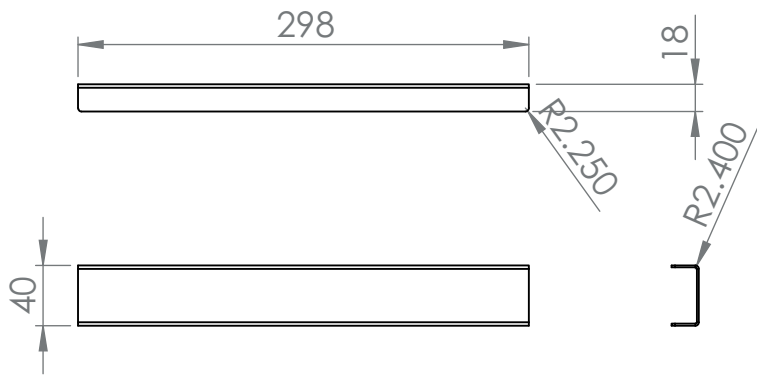


Fall Adaptor

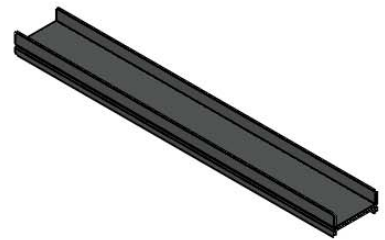
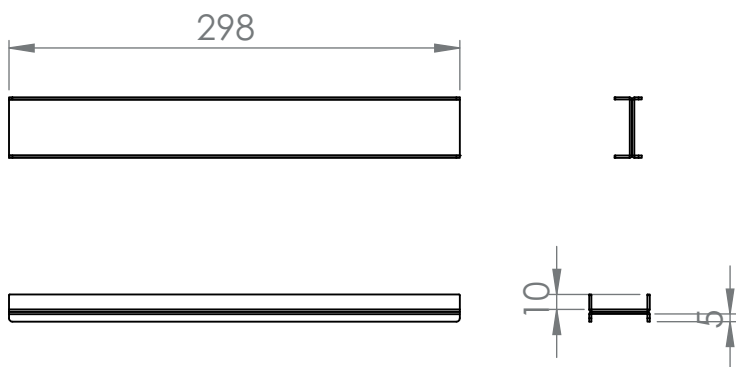


90 Deg Elbow





316 Stainless Steel Waste Cover Plate



316 Stainless Steel Tileable Cover Plate

X2 Cover Plate Supports

