

Installation Guide:

for the Warmup 3iE Programmable Thermostat



Introduction:

The 3iE thermostat is designed to aid in the comfort of your home by providing timed regulation of your Warmup underfloor heating system. The thermostat is designed to receive temperature input signals from the following sensors:

1. Air sensor located inside thermostat
2. Floor sensor installed in floor to be heated (see Warmup heater instructions for details)
3. Optional 2nd sensor (either installed in floor or outside house)

The thermostat is not a safety device and should only be used with Warmup heating products. In order to avoid damaging your flooring the correct floor type should be selected during the thermostat programming process.

Electrical Specification:

- Supply voltage: 230V +/-15% at 50Hz
- Thermostat is not designed for use with intermittent power supply.
- Maximum Switch Load: 16A resistive
- Insulation Class : II
- Housing : IP20 (IP32 when used with gasket- see fitting instructions)
- Standards: EN60730-1 & EN60730-2-9 standards

WARNING – Important safety note

This product uses mains voltage electricity and work should only be carried out by a qualified electrician. You should always isolate the power supply before attempting to install or repair the 3iE thermostat. The thermostat should not be put into operation unless you are certain that the entire heating installation complies with current general safety requirements for electrical installations. Electrical installation to be in accordance with latest IEE Wiring Regulations and appropriate Statutory Regulations.

Location of Thermostat:

The thermostat should be installed inside a single gang electrical wall box that is at least 30mm deep. For optimal performance the thermostat should be located in an area with good ventilation. It should not be beside a drafty window/ door, in direct sun-light or above another heat generating device (e.g. radiator or TV).

The thermostat is designed for operation between 0°C and 55°C with relative humidity less than 80%.

Location and installation of floor sensor:

The optimum location of the floor sensor is described in each Warmup heater installation manual. Refer to that manual when selecting floor sensor location.

The floor sensor provided with the 3iE thermostat enables accurate temperature control of the floor heating system. When the thermostat is being used to control floor heating under a wooden floor or other delicate floor coverings such as carpet or vinyl the floor sensor **MUST** be installed.

The floor sensor must be at least 300mm from the wall and should be placed centre of two heating element runs. When positioning the floor sensor avoid placing the sensor in areas where it may be exposed to sunlight or draughts. Avoid areas where there are hot water pipes that may affect the temperature reading.

As the warranty does not cover the floor, it is recommended that the floor sensor is installed into a non-conductive conduit. This will allow for easy replacement of sensor after the flooring has been laid.

Make sure the conduit has a gradual bend when it enters floor, this will ensure the sensor cable can be easily inserted or withdrawn. Seal the end with tape to prevent adhesive/screed from entering the conduit.

Route the conduit to the connection box. The end of the conduit should be easily accessible after the flooring has been fixed.

Warning: Do not attempt to cut conduit with sensor installed. This could lead to irreparable damage to your sensor.

Installation:

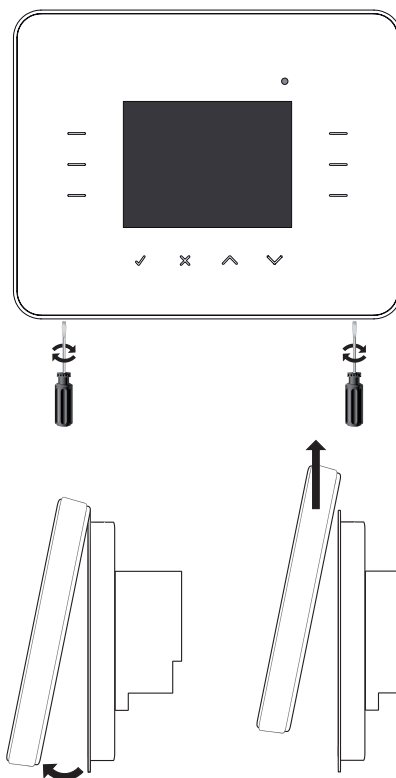
Separate the front housing of thermostat from wall module:

1. Unscrew both closing screws (bottom of stat) until they will not turn any further.
2. Release front housing by gripping lower half of outer frame and pulling outwards then upwards
3. Place front housing somewhere safe
4. Run all wires to the wall box. Check to ensure that you have included the following:
 - Power (Live and Neutral)
 - Heater (Live and Neutral)
 - Floor sensor
 - Fil pilote (if necessary)
 - External/ 2nd floor Sensor (if necessary)
5. Pull wires through wall box and complete terminal wiring.

IMPORTANT: Ensure that multi stranded wires are fully inserted into the terminals and secured tightly. Any loose strands should be trimmed as they could cause a short-circuit.

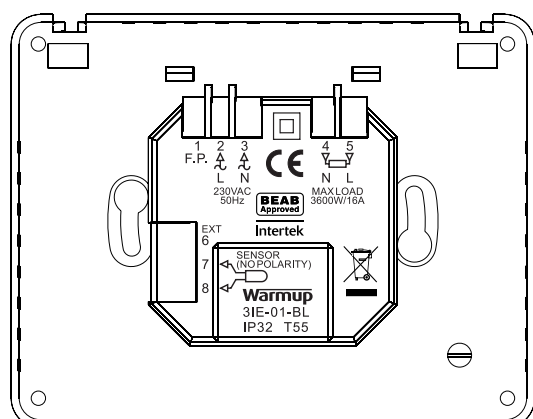
If connecting more than two heaters, an electrical junction box will be required.

NOTE: Always ensure that the sensor cable is installed in a separate conduit to the power cables supplying the thermostat and heating system.



Normal electrical installation (see numbering on diagram to right)

2. Connect to Power Supply (Live – MAX 240V)
3. Connect to Power Supply (Neutral – MAX 240V)
4. Connect to Warmup heater(s) (Neutral – MAX 3600W/ 16 Amps)
5. Connect to Warmup heater(s) (Live – MAX 3600W/ 16 Amps)
7. Connect to 1st wire of floor sensor (colour not important)
8. Connect to 2nd wire of floor sensor (colour not important)



Special installations:

(should only be performed under the supervision of Warmup)

Fil Pilote installation: (only for use in France)

1. Connect to fil pilot (F.P.)

Second sensor installation: (2nd floor probe or exterior probe)

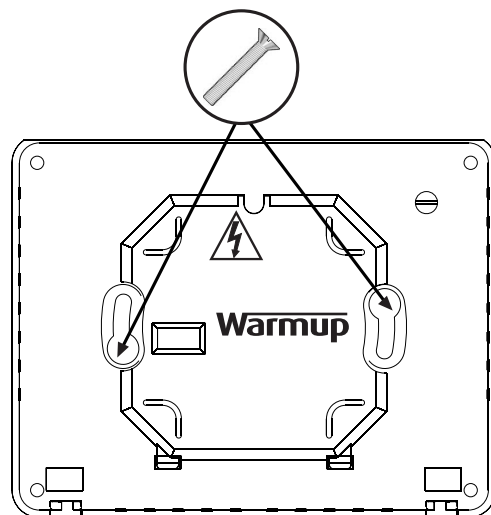
6. Connect to 1st wire of external sensor/ 2nd floor sensor
7. Connect to 2nd wire of external sensor/ 2nd floor sensor

Master/Relay installation: (connecting 2 stats together)

6. Connect to terminal 6 on other thermostat
7. Connect to terminal 7 on other thermostat

Mounting thermostat into the wall box:

1. Push excess wire back through the wall box and insert thermostat back module into wall box.
2. Put fixing screws through mounting holes and tighten.
3. Ensure that thermostat is straight before tightening completely.
4. Replace thermostat front housing;
 - i) align and sit front housing on to hinges,
 - ii) push lower half of front housing until a 'click' is heard.
5. Ensure front housing is securely fixed.
6. **IMPORTANT:** Tighten both retaining screws



Powering-up:

You can now power up the thermostat and begin the programming process. An easy to follow menu will guide you through the rest. If you want to turn on / off the thermostat and heating system then hold down the recessed button on the bottom of the stat for 3 seconds

When you have ensured that both the floor sensor and heating elements are working correctly you can complete the installation of floor covering and remove the protective cover on the front of the thermostat.

Error Messages:

Your thermostat can give you two error indications:

1. "er1": This will occur if no floor sensor is detected
2. "er2": This will occur if the floor sensor has a short circuit

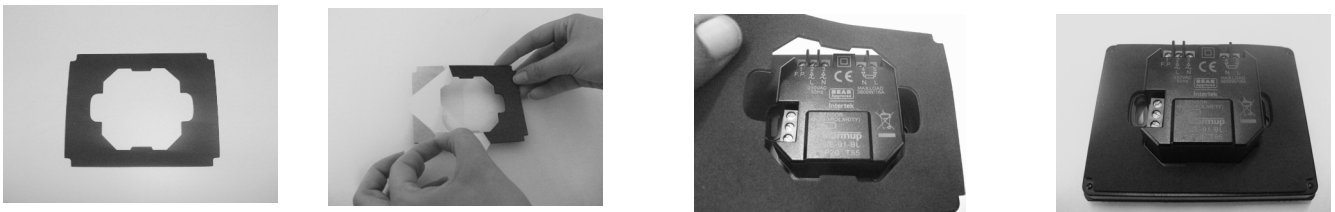
Using the Gasket with the 3IE

The 3IE has a Ingress Protection rating of IP20 but this rating can be increased when used in conjunction with the Gasket supplied with the thermostat, in which case it is ingress Protection rated to IP32 but only when used in accordance with these instructions.

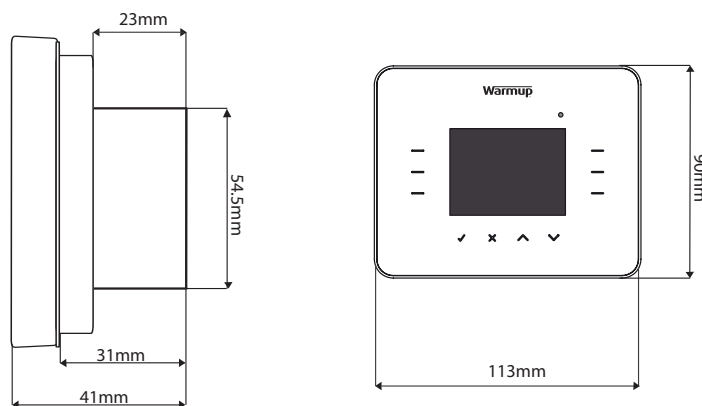
Fitting the Gasket

Remove backing from seal and attach to the back of the thermostat ensuring that there is a tight bond between the seal and the back of the thermostat.

Once fitted do not remove or attempt to refit the seal as this may affect the protection against ingress of water if the not fixed correctly.



Dimensions :



Dimensions (mm)

Installer's Notes:

Warmup Contacts

UK
Warmup Plc
702 & 704 Tudor Estate
Abbey Road
London
NW10 7UW

T: 0845 345 2288
International: + 44 208 453 6868

F: 0845 345 2299

E-mail: uk@warmup.com
Website: www.warmup.co.uk

FRANCE
Warmup plc
16, Rue du Dr Leroy
Suite 310
72000
France

T: 805 639 905
International: +33 805 639 905
F: +33 805 639 906

E-mail: france@warmup.com
Website: www.warmupfrance.fr

GERMANY
Warmup Heizsysteme
Ottostraße 3
27793 Wildeshausen

T: +49 4431 948 700
F: +49 4431 948 7018

E-mail: de@warmup.com
Website: www.warmupdeutschland.de

PORTUGAL
Warmup Portugal
Rua Fundo de Vila, Loja R
3700-120 S. J. da Madeira

T: 800 812 080 (Portugal Only)
F: 800 812 063 (Portugal Only)

E-mail: portugal@warmup.com
Website: www.warmup.pt

SPAIN

Warmup sl
Francisco de Rojas, 2
28010 Madrid
España

T: 800 099 988 (Spain Only)
F: 800 099 989 (Spain Only)

E-mail: españa@warmup.com
Website: www.warmup.es



Disposal

Appliances with this symbol must not be disposed of with general waste. Seek guidance from you local government or the retailer where you purchased the product.